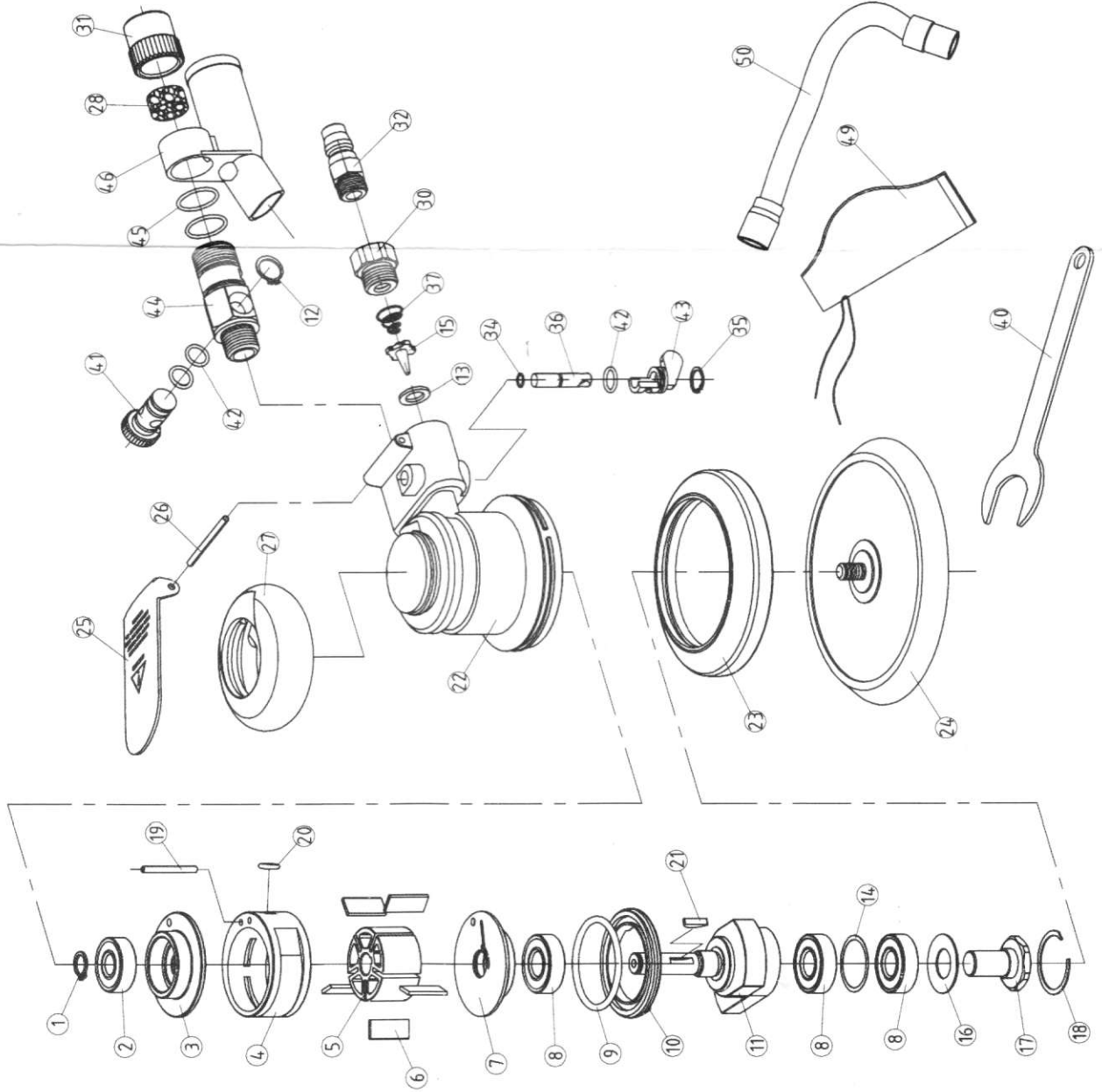


# AIR RANDOM ORBITAL PALM SANDER

Deluxe Trinity (3-in-1)  
Self-Generated Vacuum & Non-Vacuum & Central-Vacuum



## PARTS LIST

Part #	Part Name	Qty	Part #	Part Name	Qty
1	retaining ring	1	23	shroud	1
2	bearing (6000z)	1	24	vinyl face pad	1
3	front plate	1	25	trigger	1
4	cylinder	1	26	spring pin ( 3x41)	1
5	rotor	1	27	grip	1
6	blade	5	28	muffler core	1
7	rear plate	1	30	air inlet bushing	1
8	bearing (6001z)	3	31	muffler cover	1
9	o-ring ( 39x3)	1	32	quick coupler	1
10	locking ring	1	34	o-ring ( 4x1)	1
11	shaft balancer	1	35	retaining ring	1
12	retaining ring ( 12)	1	36	valve pin	1
13	rubber pad	1	37	spring	1
14	spacer	1	40	spanner	1
15	valve	1	41	function-shifting valve	1
16	dustproof cover	1	42	o-ring ( 9x1.5)	3
17	spindle	1	43	throttle lever	1
18	clip ring	1	44	valve case	1
19	spring pin ( 3x28)	1	45	o-ring ( 17x1.5)	2
20	o-ring ( 6.3x1.8)	1	46	air exhaust	1
21	half-round shaft	1	49	dust bag	1
22	housing	1	50	dust pipe	1

## SPECIFICATION AND PARAMETER

ORBIT PATTERN: 3/16" (5mm)  
 \*FREE SPEED: 10000r/min  
 AIR CONSUMPTION: 0.4m<sup>3</sup>/min  
 CHECK PRESSURE: 0.63MPa  
 AIR INLET: 1/4"(6.35mm)  
 HOSE SIZE: 1/4"(6.35mm)

SANDING PAD SIZE: 6" - 6<sup>5</sup>/<sub>16</sub>"x24 - 130g  
 5" - 5<sup>5</sup>/<sub>16</sub>"x24 - 100g

NET WEIGHT: 6" - 1.30Kg  
 5" - 1.24Kg

PACK SPECIFICATION: 22x16x12 (cm)